



## TM6035 Series Modular High Voltage Power Supply

The Rated Voltage is 1.7 kV, Rated Power is 8.33 W



- ◆ Maximum Output Voltage 1.7 kV
- ◆ Maximum Output Power 8.33 W
- ◆ Digitally Programmable
- ◆ Over-Current/Arc Full Protection
- ◆ RS485 Digital Communication Interface
- ◆ CE Certification

Teslaman TM6035 series is an intelligent modular high-voltage power supply. The full digital control mode is adopted, which can meet the customer's various control setting functional requirements, and the comprehensive and fast voltage and current transient response capability ensures the power supply to run without faults. This series of products are small in size, complete in function, safe and reliable.

### Typical Application:

Adaptive power supply for He-Ne laser.

### Specifications:

**Input:** DC-15V  $\pm 10\%$ .

**Output:** The maximum voltage is 1.7 kV and 4.9 mA, and each model can provide positive or negative output.

#### Front Panel Status Indication:

Output, arc, function indicator.

#### Voltage And Current Control:

Constant voltage and constant current control can be realized by software setting.

**Remote Control:** This series of power supply comes standard with RS-485 digital communication interface, which can communicate with upper computer or other digital equipment. Our company provides upper computer software for testing only. The equipment adopts Modbus communication protocol, and refer to

Appendix "Communication Protocol Part" for relevant information.

#### Voltage Regulation:

Load: 0.01% of output voltage no load to full load.

Line:  $\pm 0.01\%$  for  $\pm 10\%$  change input voltage.

#### Current Regulations:

Load: 0.01% of output current from 0 to rated voltage.

Line:  $\pm 0.01\%$  for  $\pm 10\%$  change input voltage.

**Ripple Voltage:** less than 1%  $V_{rms}$  at rated voltage.

#### Ambient Temperature:

Working temperature: 0 °C to + 50 °C.

Storage temperature: -20 °C to + 80 °C.

**Temperature Coefficient:** Usually 100ppm per °C.

**Stability:** After starting up and preheating for half an hour, it is better than 0.1% every 8 hours.

**Humidity:** 10-90% without condensation.

#### Overall Dimensions:

The width is 51mm, the height is 36.5 mm and the depth is 125mm.

**Weight:** 300g.

#### High Voltage Output Line:

The power supply comes with unshielded high-voltage cable. The standard high-voltage cable is 0.5 m long and 3.8 mm in outer diameter, and cannot be unplugged.

**Certification:** CE certification.

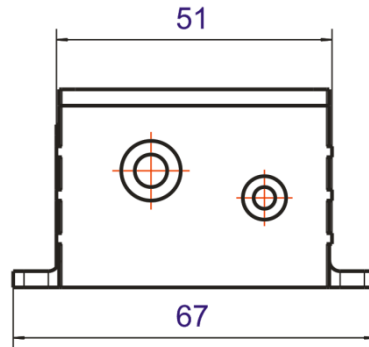


# TM6035 Series Modular High Voltage Power Supply

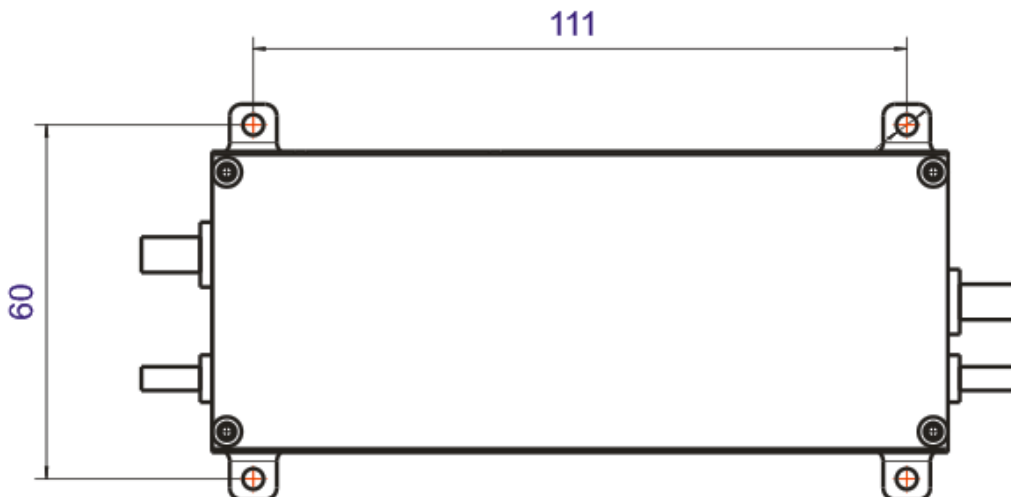
The Rated Voltage is 1.7 kV, Rated Power is 8.33 W

## Overall Dimensions: mm

Front View:



Top View:



Side View:

