

TE4020 Series

Modular DC High Voltage Power Supply

**50kV, 120W, Special For Electrostatic Field,
Digital Voltage and Current Indication**



Teslaman TE4020 Series High Voltage Power Supply is specially designed for electrostatic field applications. Its output voltage is adjustable, and the front panel of the power supply is equipped with voltage and current digital display instruments, as well as high-voltage switch buttons and high-voltage indicator lamps, which are convenient for users to use.

- Maximum Output Voltage 50kV
- Output Power 120W
- Arc Protection
- Adjustable Output Voltage
- Constant Voltage Mode
- OEM Customization Available

Typical Application:

Electrostatic spinning; Electrostatic spraying; Plastic sorting; Electrostatic flocking, etc.

Specifications:

Input: AC220V \pm 10%, 50/60 Hz.

Output:

The highest output voltage is 50kV, continuously adjustable from 0 to the highest voltage with single polarity.

Voltage Control:

Local control: The multi-turn potentiometer of TE4020 power supply can set the output voltage between 0 and the highest voltage.

Voltage Regulation Rate:

Load: 0.1% of output voltage no load to full load.

Line: \pm 0.1% of \pm 10% change in input voltage.

Ripple Voltage:

The peak-to-peak ripple voltage is 1% of the maximum output voltage (0.1% optional) at the output rated voltage.

Environmental:

Operational: 0 °C to + 50 °C.

Storage: -20 °C to + 80 °C.

Temperature Coefficient: 0.02% per degree °C.

Stability: less than 0.1% every 8 hours after 1/2 hour warm up.

Voltage and current indication: The accuracy is 1% under rated output conditions.

Overall Dimensions:

The width is 155.6 mm, the height is 123mm and the depth is 243mm.

Connectors:

High Voltage Output Connector: Recessed epoxy insulated conduit and probed high voltage cable are connected by a 16mm diameter metal connector.

The high voltage cable is 2 meters long.

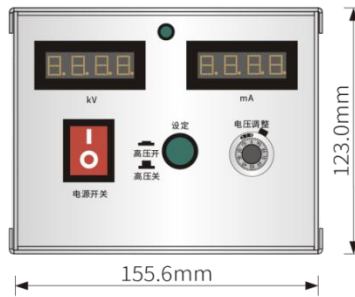
TE4020 Series Model Selection Table (120W):

Output		Type of Power Supply	
kV	mA	Positive Polarity	Negative Polarity
5	24	TE4020P5-120	TE4020N5-120
8	15	TE4020P8-120	TE4020N8-120
10	12	TE4020P10-120	TE4020N10-120
15	8	TE4020P15-120	TE4020N15-120
20	6	TE4020P20-120	TE4020N20-120
25	4.8	TE4020P25-120	TE4020N25-120
30	4	TE4020P30-120	TE4020N30-120
35	3.43	TE4020P35-120	TE4020N35-120
40	3	TE4020P40-120	TE4020N40-120
45	2.67	TE4020P45-120	TE4020N45-120
50	2.4	TE4020P50-120	TE4020N50-120

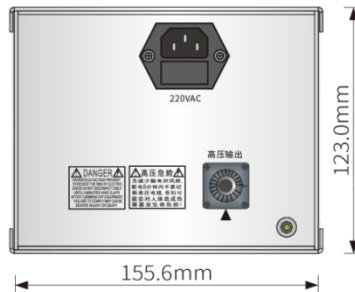
20V AC Power Connector:

Pin	1	2	3
Signal	Live Wire	Ground Wire	Null Line

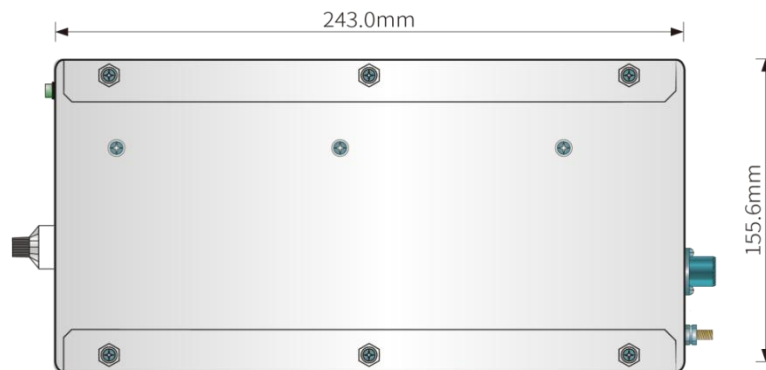
Overall Dimensions: mm



Front View



Top View



Rear View